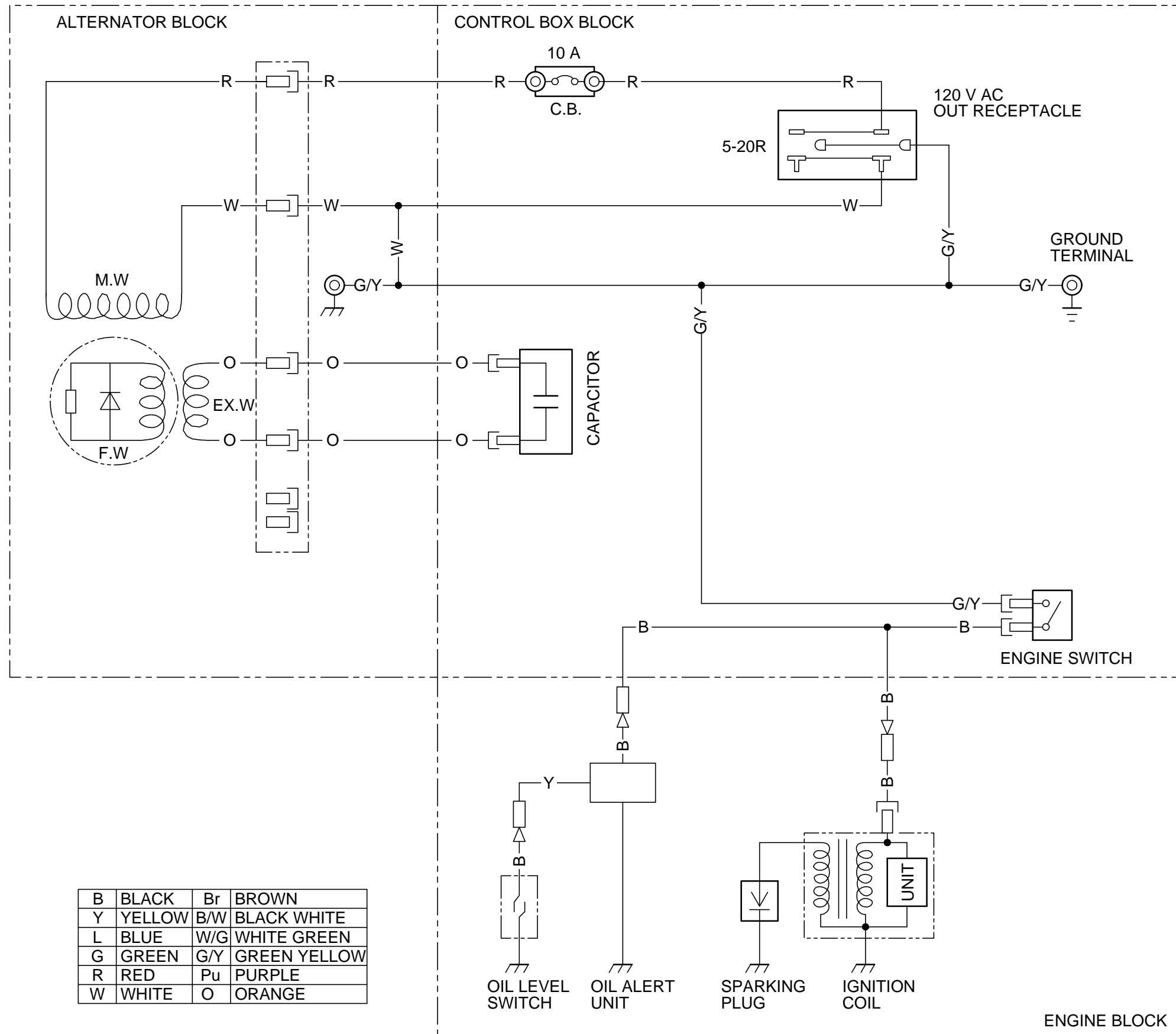


FIRMAN POWER EQUIPMENT

MODEL P01201, REV LEVEL: 00

Grounding System (AC): Neutral Bonded to Frame



P/N	312000003
REVISION	00