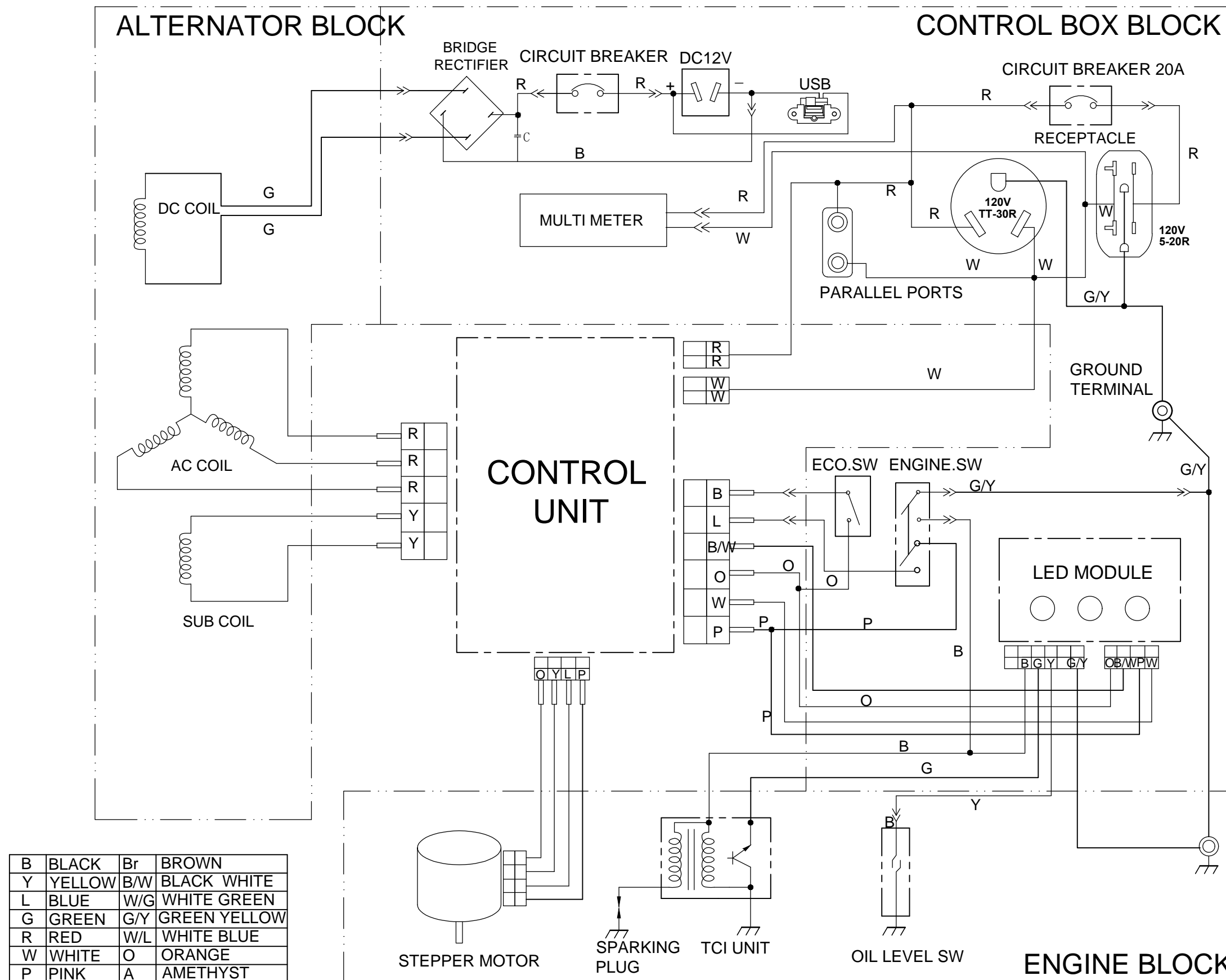


FIRMAN POWER EQUIPMENT

MODEL W03081, REV LEVEL: 01

Grounding System (AC): Floating Neutral



P/N	330000008
REVISION	03