

1002 MEDIUM SIZE COVER

FIRMAN[®]
POWER EQUIPMENT

8716 WEST LUDLOW DR. SUITE #6
PEORIA, AZ 85381
1-844-347-6261

WWW.FIRMANPOWEREQUIPMENT.COM

MEDIUM SIZE PORTABLE GENERATOR COVER30A

UPC // 840876100417

RECEPTACLE // TT-30R 30A-120V + L5-30P 30A-120V

MAXIMUM OUTPUT POWER // 3600W+3600W

SUITABLE MODEL // W01781 AND W03081

RATED CURRENT // 30A

CARTON L×W×H // 10.2" × 6.2" × 9.0"

CARTON WEIGHT // 3.97 LBS.

TT-30R(RV)

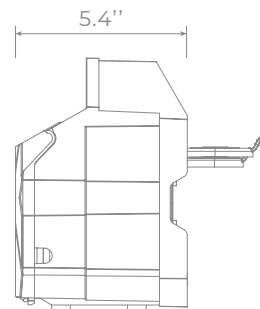
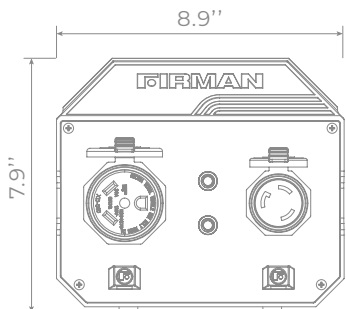


30A-120V(RV)

L5-30R



30A-120V



BEST USED FOR



A blue protective cover for a Firman generator. The cover is made of a heavy-duty, wrinkled fabric and features a large, bold yellow logo in the center. The logo consists of a stylized 'F' with a dot, followed by the word 'IRMAN' in a bold, sans-serif font. A registered trademark symbol (®) is located to the upper right of the 'N'. Below the logo, the slogan 'POWER ON DEMAND' is printed in a smaller, grey, sans-serif font. The cover is positioned over a generator, with a single black wheel visible at the bottom left. The background is a plain, light-colored wall and floor.

FIRMAN[®]
POWER ON DEMAND